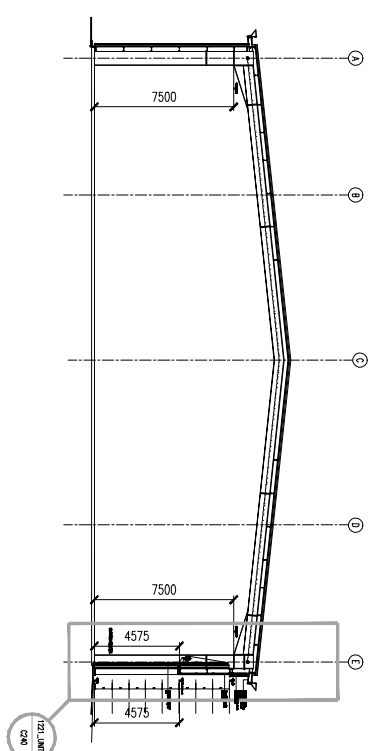
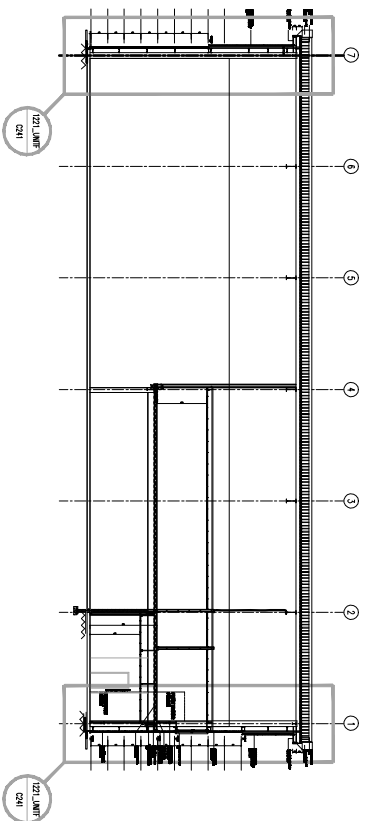


SECTION A-A



SECTION B-B



SECTION C-C

**SOUTHERN COMMERCIAL**  
 UNIT F - SECTIONS 1:200

**FletcherArchitects**  
 Designers & Master Planners

UNITS 1 & 2 INVERGIDE LANE  
 COMMERCIAL STREET  
 MANCHESTER M15 4RQ  
 T +44(0)161 888 1390  
 F +44(0)161 888 1391  
 www.fletcherarchitects-uk.com

PROPOSED COMMERCIAL DEVELOPMENT for HELIOS (INDUSTRIAL DEVELOPMENTS) LTD	UNIT F - SECTIONS	DATE: 30.05.07
STATUS: AS 1 - REVISION: 1 - SHEET: 1:2000A1	REV: CHECKED BY:	
DRAWN: RCT		
<b>1221 - AB142</b>		